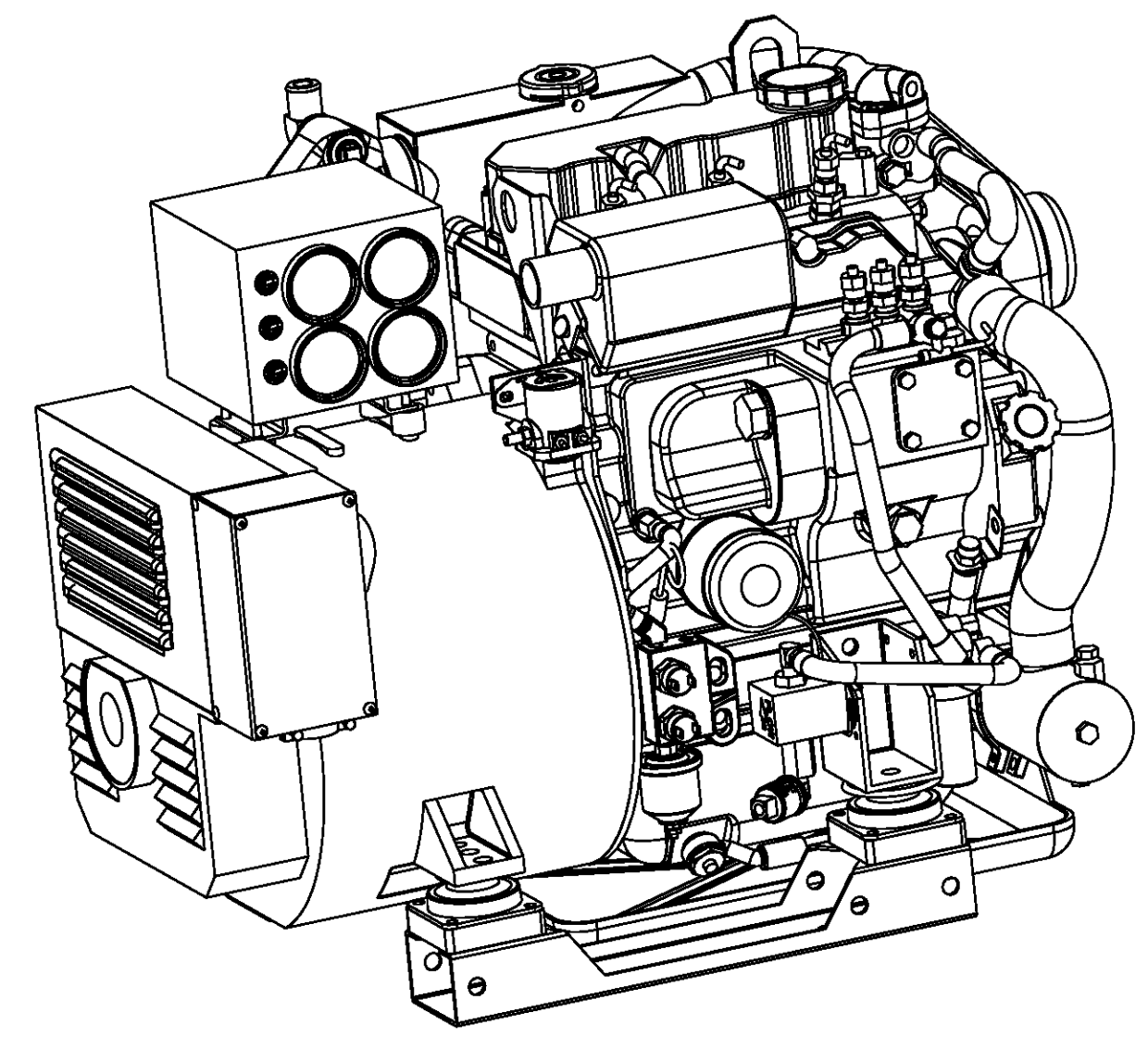
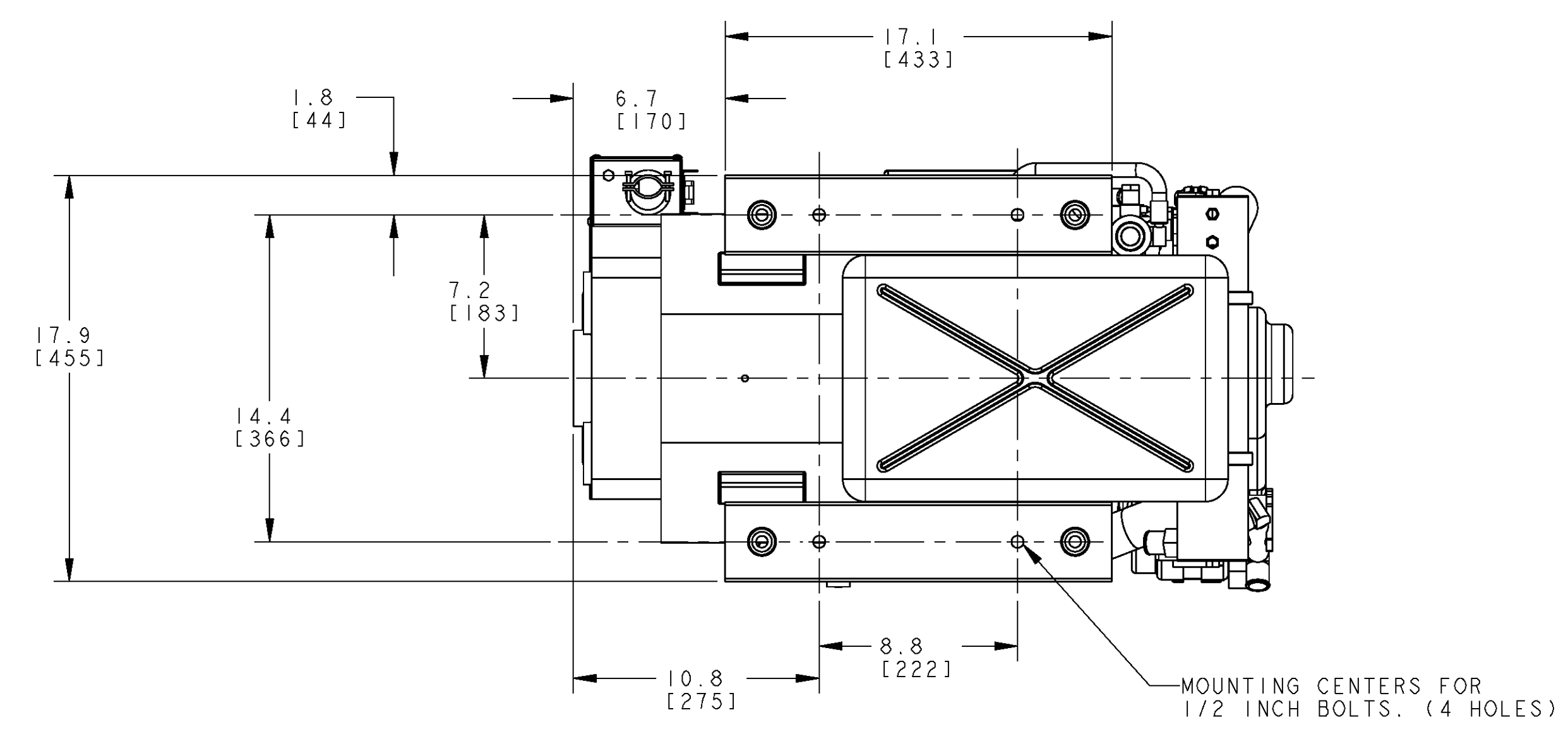
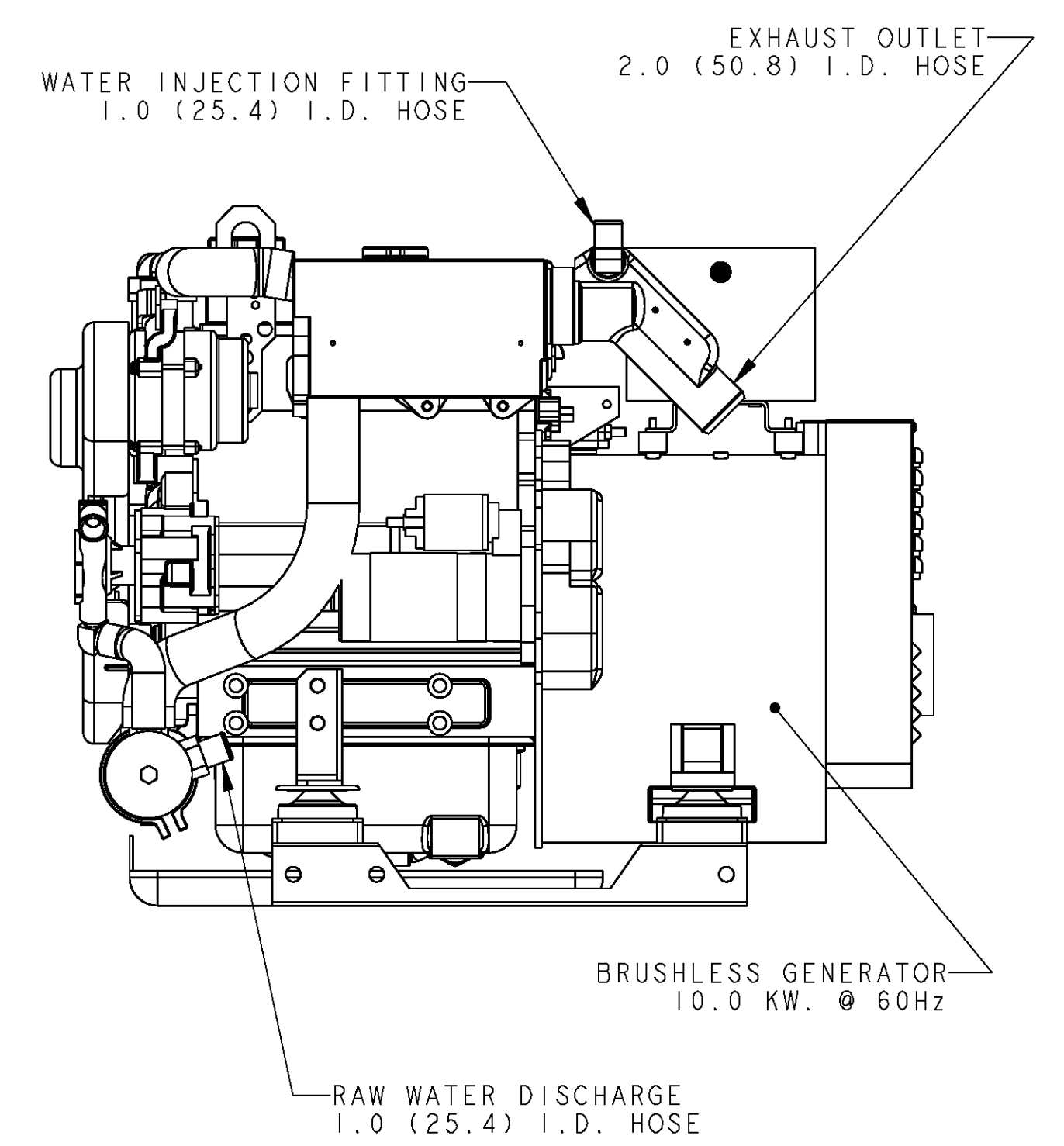
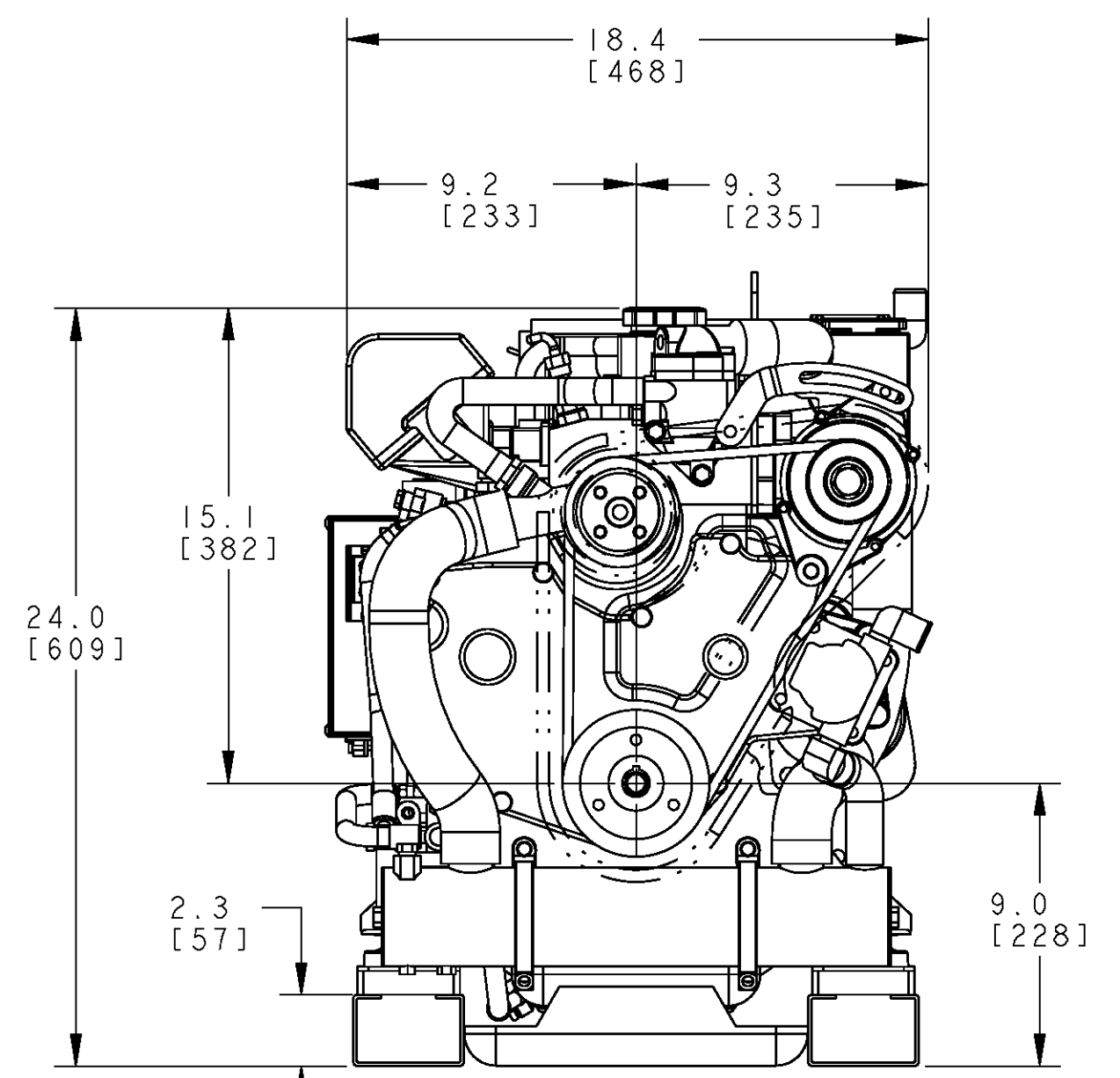
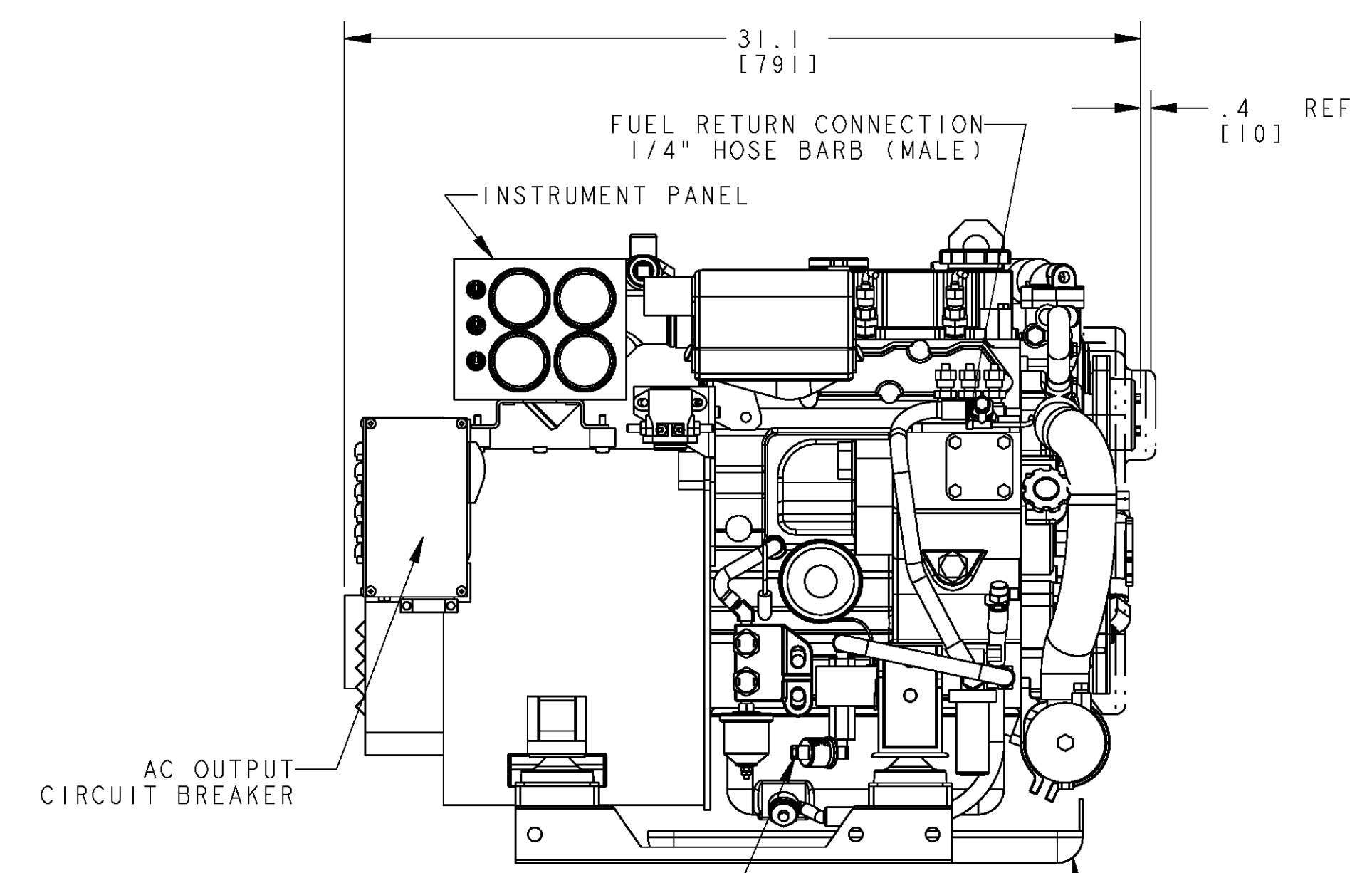
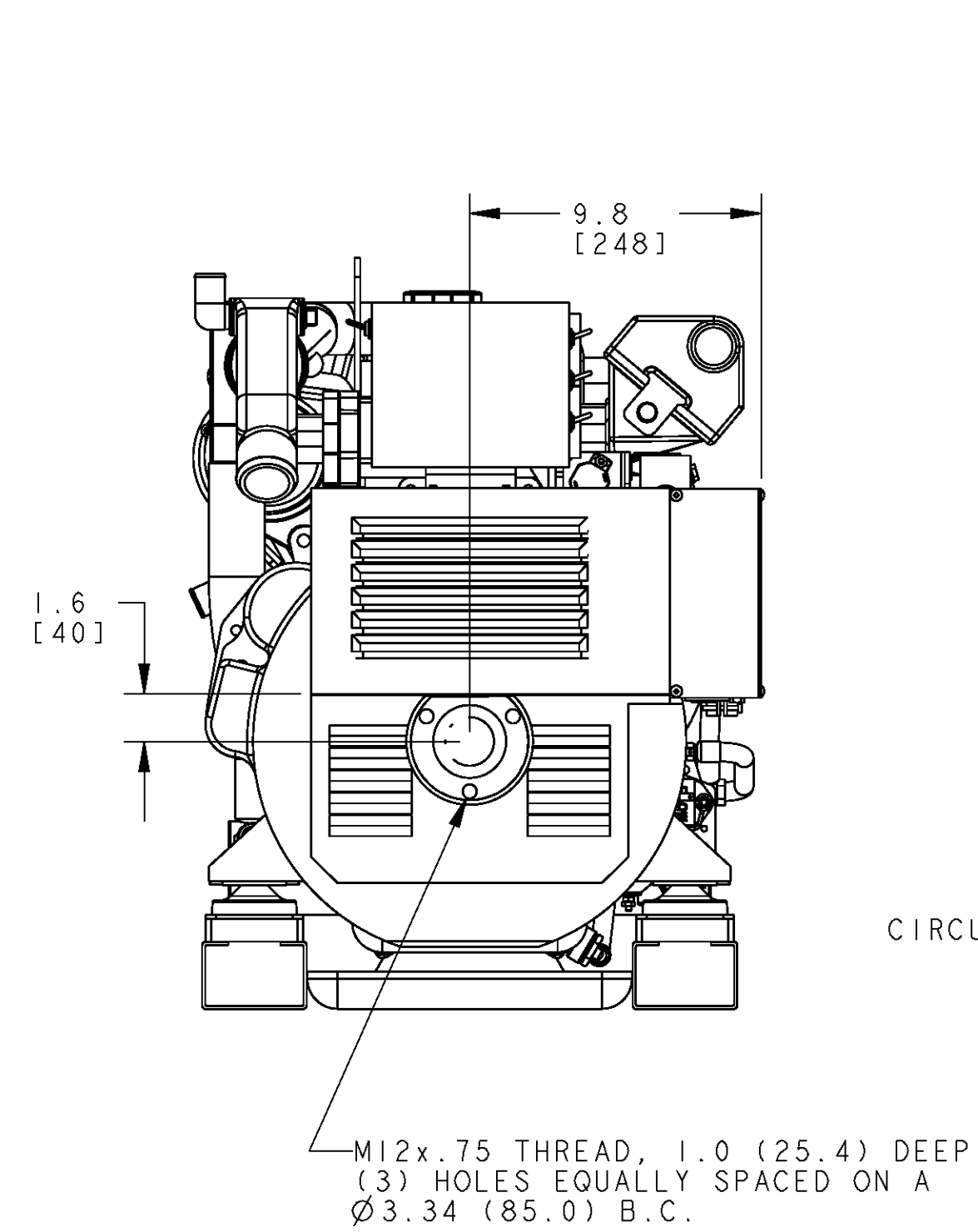
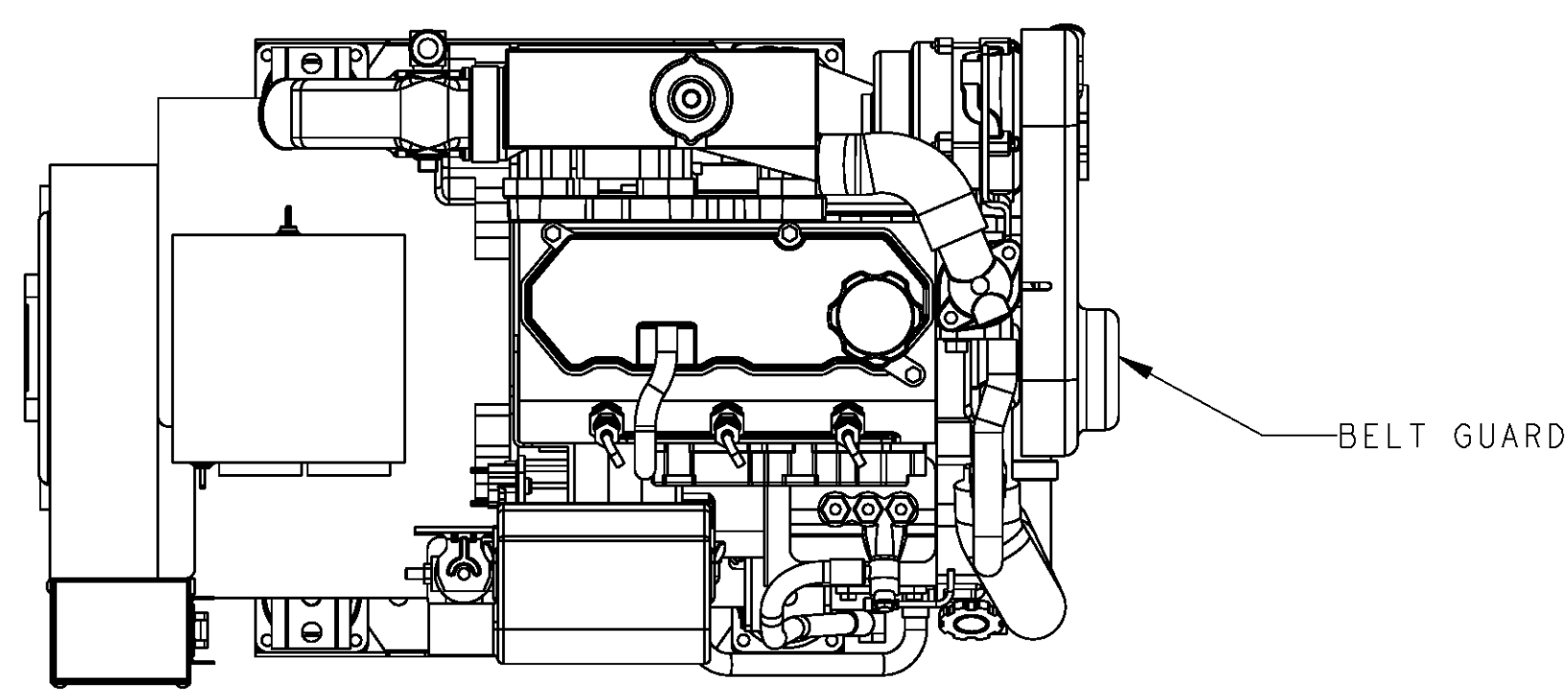


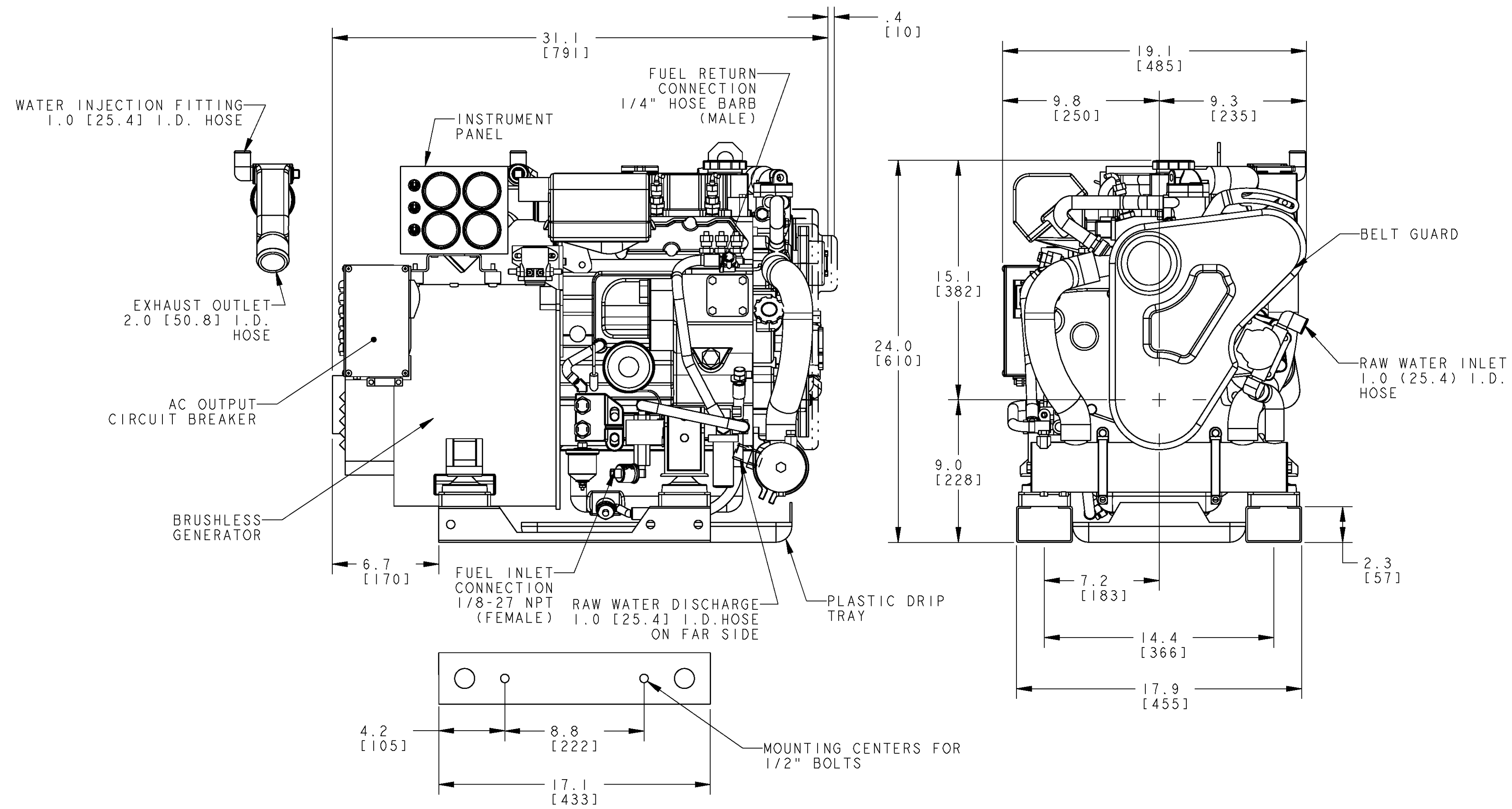
ECO NO.	DATE	REV.	REVISION RECORD	AUTH.	DR. BY
4364	1-11-02	A	1. MODEL NUMBER TO BTDA WAS 11 BTDA 2. REVISED BREAKER BOX MOUNTING		JM
5325	7-22-02	B	UPDATE ASM TO REFLECT CURRENT BOM		BM
5424	12-12-02	C	ADDED PART #48076 TO ASSEMBLY		BM
6184	3-31-06	D	FIXED TITLE		GA



MODEL WITH 50 AMP ALTERNATOR

TOLERANCES (UNLESS OTHERWISE NOTED)		WESTERBEKE CORPORATION TAUNTON, MA. 02780			
INCHES	MILLIMETERS	TITLE INSTALLATION DRAWING 10.0 KW BTDA GENERATOR			
.XX : .02	.X : ± 1.0	DRAWN BY	DATE	MATERIAL:	
.XXX : .005	.X : ± .5	JM	18/Sep/99		
CAST : .03	.XX : ± .13	APPROVED BY	DATE		
FINISH				SCALE 0.187	SIZE
DIMENSIONS				DRAWING NUMBER	REV.
INCHES MILLIMETERS				D	44197
(WHEN APPLICABLE)		SHT. 1 OF 2		D	

ECO NO.	DATE	REV.	REVISION RECORD	AUTH.	DR. BY



TOLERANCES (UNLESS OTHERWISE NOTED)		WESTERBEKE CORPORATION TAUNTON, MA. 02780	
INCHES	MILLIMETERS	TITLE	MATERIAL:
.XX : .02	.X : ± 1.0	INSTALLATION DRAWING	-
.XXX : .005	.X : ± .5	10.0 KW BTDA GENERATOR	-
CAST : .03	.XX : ± .13	DRAWN BY	DATE
ANGLES : 9°		JM	22/Apr/04
FINISH : 3		APPROVED BY	DATE
DIMENSIONS		SCALE 0.200	SIZE D
INCHES ← → MILLIMETERS		SHT. 2 OF 2	DRAWING NUMBER <b>44197</b>
(WHEN APPLICABLE)			REV. D